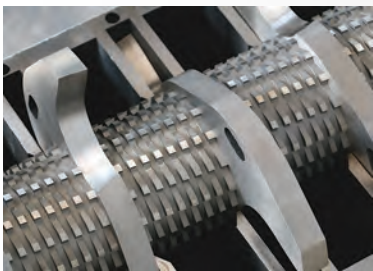




Your recycling needs. Our grinding solutions.

# JS Series 11

Technical moulds, reinforced materials, no fine parts, minimum noise level, uniform regrind material, easy maintenance. The new JS Series 11 is screen-less and suitable for runners recovery in-line with injection moulding machines.



Gradual cut by helical toothed rollers to reduce cutting stress



Gearmotor aligned with the rotor by interposed chain joint



Patented cleaning system for grinding chamber

# JS Series 11

## FEATURES JS 2811

Motor power: **0,75 kW**  
Chute opening: **307 x 303 mm**  
Feeding opening: **257 x 140 mm**  
Reels diameter: **268 mm**  
Mills diameter: **110 mm**  
Toothed mills dimensions: **5 x 5 mm**  
Nr. reels / mills: **2/3**  
Hourly throughput: **5 ÷ 10 Kg/hr**  
Rotor speed: **25/30 rpm**  
Weight: **228 Kg**  
Discharge funnel capacity: **7,8 lt**

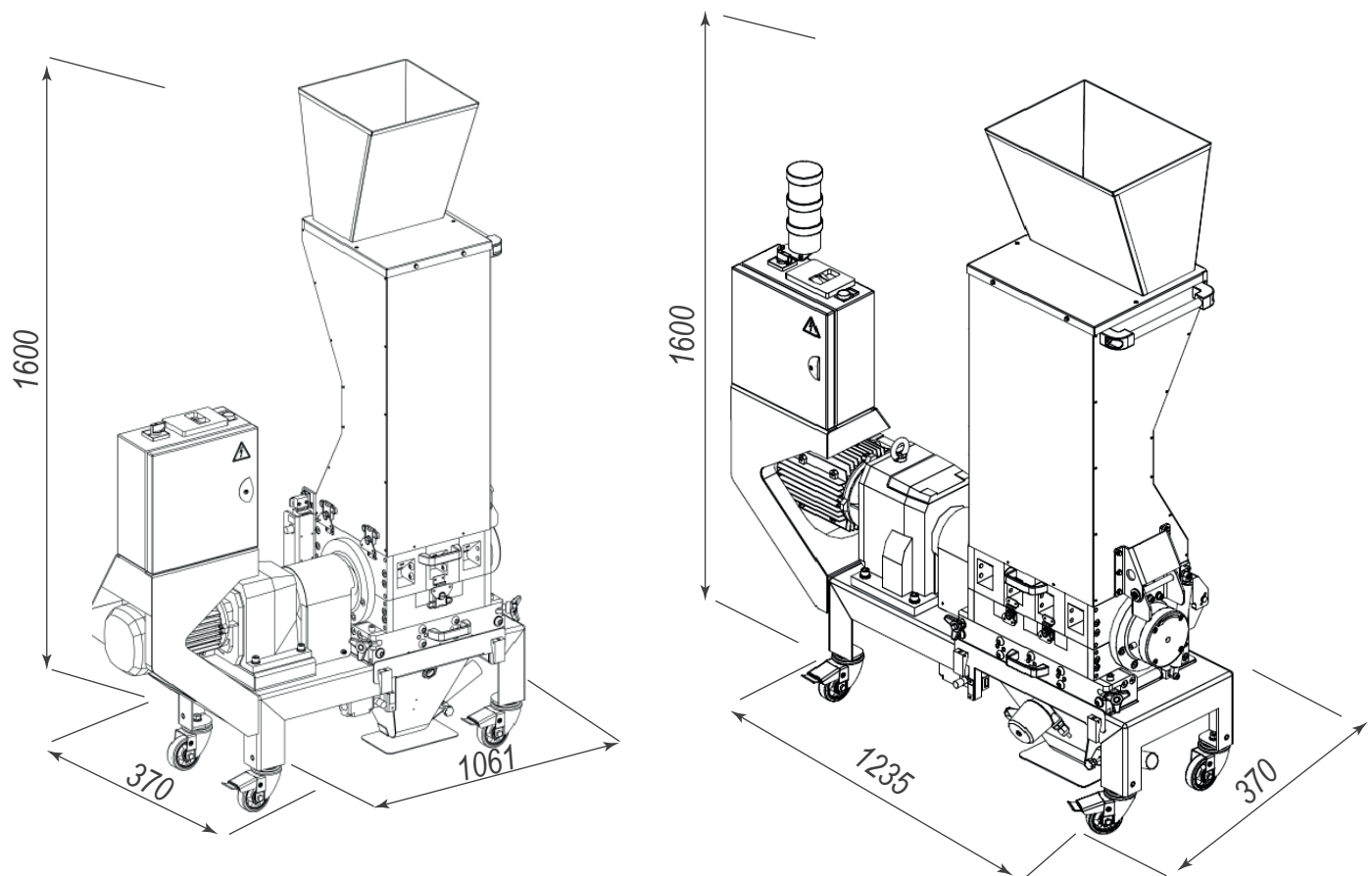
## FEATURES JS 3911

Motor power: **1,5 kW**  
Chute opening: **307 x 397mm**  
Feeding opening: **351 x 140 mm**  
Reels diameter: **268 mm**  
Mills diameter: **110 mm**  
Toothed mills dimensions: **5 x 5 mm**  
Nr. reels / mills: **3/4**  
Hourly throughput: **15 ÷ 20 Kg/hr**  
Rotor speed : **25 / 30 rpm**  
Weight: **335 Kg**  
Discharge funnel capacity: **10 lt**

## OPTIONAL

- A) Special voltages/frequencies
- B) Control level
- C) Venturi regrind material transport system

## DIMENSIONS



Your recycling needs. Our grinding solutions.

TRIA Italy  
[www.trioplastics.com](http://www.trioplastics.com)

TRIA America  
TRIA Brazil

TRIA China  
TRIA Germany