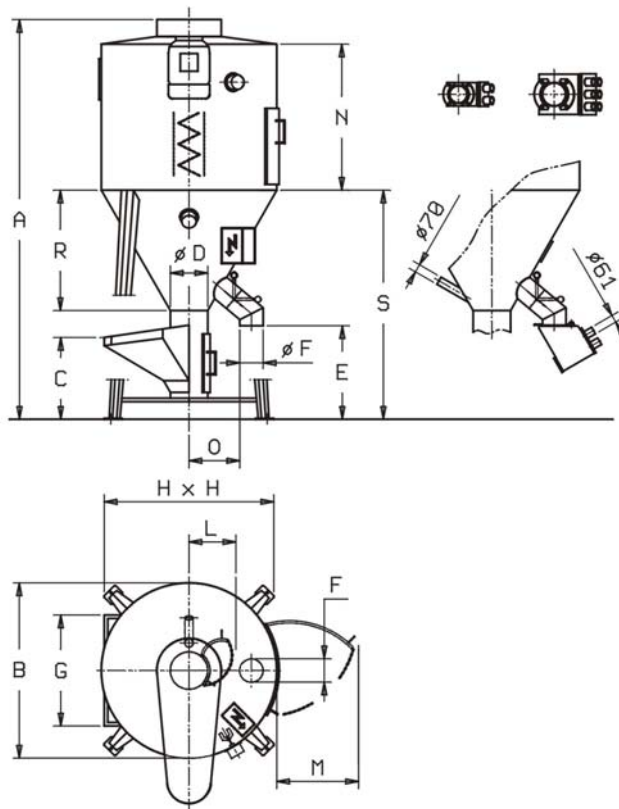


MIXERS

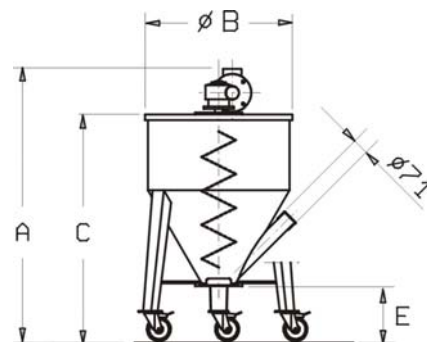
TYPE MVP

STANDARD

- equipment for dry colouring and quick mixing of granular materials, working by vertical auger screw
- the mixing chamber and auger screw are easily accessible by two hinged doors
- vertical auger screw operated by an electric motor with belt drive
- great capacity feeding hopper with accident prevention screen
- discharge opening with manual closing flap
- electric control panel and safety microswitches included



Type MVP



Type MIX - V

DIMENSIONS		MIX-V	MVP 500	MVP 1000	MVP 1800	MVP 2500	MVP 3500	MVP 5000	MVP 10000
A	mm	1.420	2.550	3.050	3.200	3.500	3.900	4.200	5.100
B	mm	750	850	1.060	1.400	1.500	1.600	1.900	2.350
C	mm	1.200	600	700	750	750	750	780	780
D	mm	=	200	280	320	320	320	320	320
E	mm	300	800	800	800	800	800	800	800
F	mm	=	150	200	200	200	200	200	200
G	mm	=	650	750	950	950	950	1.000	1.000
H	mm	=	1.150	1.250	1.400	1.450	1.500	1.800	1.950
L	mm	=	200	340	365	365	365	365	365
M	mm	=	400	450	600	600	600	700	750
N	mm	=	750	1.000	1.000	1.250	1.500	1.500	2.000
O	mm	=	280	310	330	330	330	330	330
R	mm	=	700	850	930	1.000	1.100	1.350	1.750
S	mm	=	1.570	1.750	1.850	1.950	2.010	2.300	2.670
Motor	HP	1	3	5,5	7,5	7,5	10	10	15
Weight	Kg.	90	340	460	570	600	750	800	1.200
Capacity	lt.	200	500	1.000	1.800	2.500	3.500	5.000	10.000

OPTIONALS

- funnel for 1, 2, 6 loaders
- paddles level control
- upper cyclone application